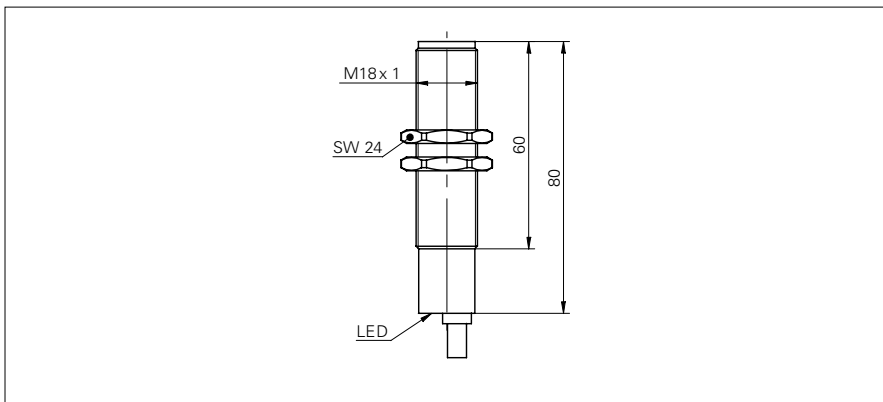


## Inductive proximity switch

## IFRK 18P1104/L

## dimension drawing



## general data

mounting type	unshielded
nominal sensing distance $S_n$	8 mm
hysteresis	3 ... 20 % of $S_r$
output indicator	LED red

## electrical data

switching frequency	< 1 kHz
voltage supply range +Vs	10 ... 50 VDC
current consumption max.	10 mA
output circuit	PNP make function (NO)
voltage drop $V_d$	< 3 VDC
output current	< 200 mA
short circuit protection	yes
reverse polarity protection	yes

## mechanical data

type	cylindrical threaded
material (sensing face)	PBT
housing material	PBT
dimension	18 mm
housing length	80 mm
connection types	cable, 2 m

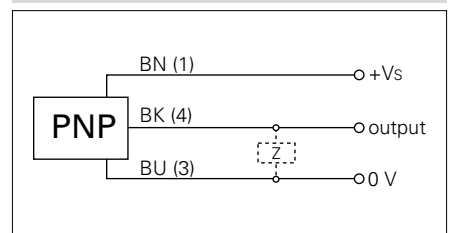
## ambient conditions

operating temperature	-25 ... +75 °C
protection class	IP 67

## photo



## connection diagram



- PBT plastic housing